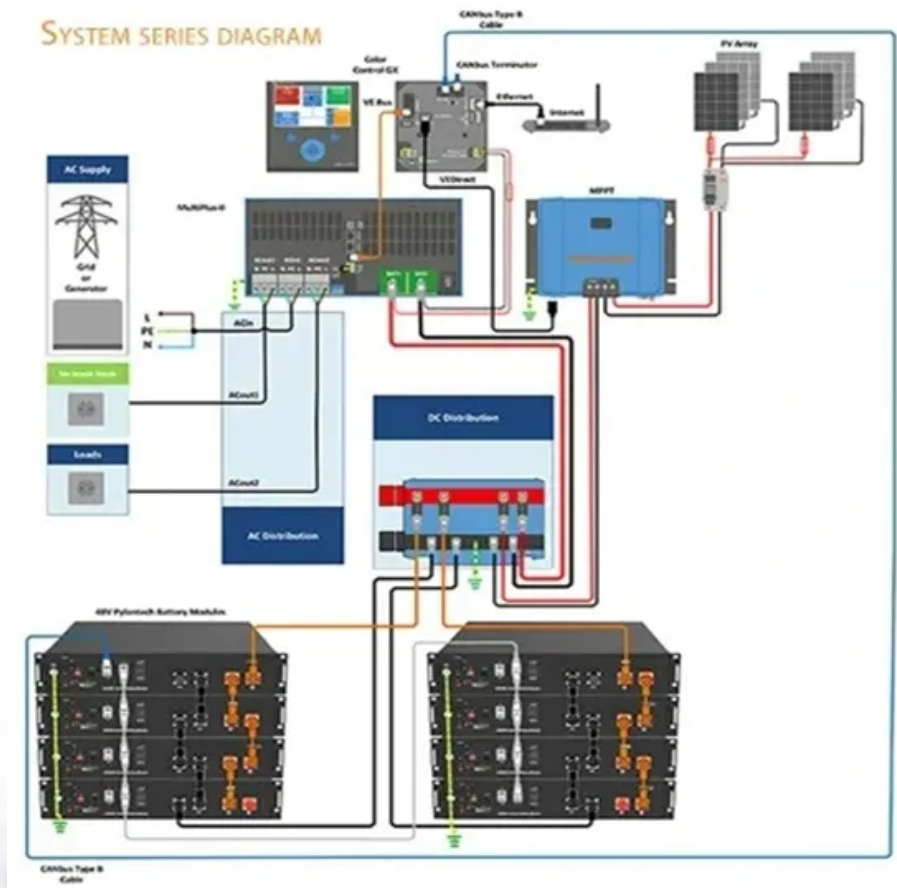


The development prospects of new solar container and solar container





Overview

Technological advancements in portable photovoltaic modules, integrated battery storage systems, and energy management software are enhancing the efficiency, scalability, and reliability of containerized solar units, supporting applications across construction sites, mining. This surge is driven by a growing need for portable off-grid power in remote and. The versatility of solar containers, which can be deployed in various applications such as disaster relief, military operations, and rural electrification, further fuels their adoption across different sectors. The off-grid solar container segment is expected to dominate the market, driven by the. The solar container market refers to the industry focused on the design, development, deployment, and commercialization of portable, self-contained solar power units integrated within standard or modified shipping containers.



The development prospects of new solar container and solar contain



Solar Container Market Report , Global Forecast From 2025 To 2033

The global solar container market size was valued at approximately USD 2.5 billion in 2023 and is projected to reach around USD 7.1 billion by 2032, growing at a remarkable CAGR of 12.5% during ...

Middle East and Africa Solar Container Power Generation Systems ...

The growth of the Middle East and Africa solar container power generation systems market is primarily driven by increasing energy demand, government initiatives promoting renewable energy, and



Solar Container

The global Solar Container market size is expected to reach US\$ million by 2029, growing at a CAGR of % from 2023 to 2029. The market is mainly driven by the significant applications of Solar Container in ...



Solar Container Market By Size, Share, Growth and Forecast 2030

Technological advancements and continuous product innovation are playing a central role in shaping the trajectory of the solar container market, unlocking new application possibilities



and enhancing system ...



Solar Container Market Size, Growth & Opportunity Overview ...

Download a free sample report to explore data scope, segmentation, Table of Content and analysis before you make a decision. The Solar Container Market was valued at USD 2.8 billion in ...

Solar Container Market Insights: Industry Development and Projected

New York, USA - Solar Container market is estimated to reach USD xx Billion by 2024. It is anticipated that the revenue will experience a compound annual growth rate (CAGR 2025-2031) of xx



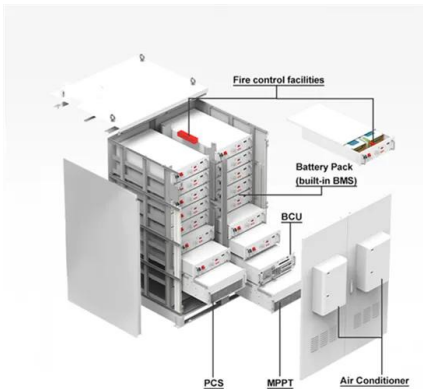
Solar Container Market Size, Share, Trends , Report 2035

Solar Container Market to Grow CAGR of 19.38% By 2035, by driving industry size, share, top company analysis, segments research, trends and forecast report 2025 to 2035.



Solar Container Market Size, Share, Trends , Report 2035

Technological advancements are reshaping the Solar Container Market. Innovations in solar panel efficiency, energy storage solutions, and smart grid integration are enhancing the functionality and ...



Solar Container Market Size, Dynamics, Insights and ...

Getting into new Solar Container Market - As more and more industries move into places like Southeast Asia, Africa, and Latin America, new opportunities are ...

Solar Container Power Systems 2025-2033 Trends: Unveiling Growth

The global solar container power systems market is experiencing robust growth, driven by increasing demand for reliable and sustainable off-grid and backup power solutions. The market, ...



Solar Container Market Size, Share and Growth Drivers 2030

The global solar container market is expected to grow from USD 0.29 billion in 2025 to USD 0.83 million by 2030, at a CAGR of 23.8% during the forecast period. Growth is driven by the rising adoption of ...



Global Solar Container Market Insights, Forecast to 2030

The global Solar Container market is projected to grow from US\$ million in 2024 to US\$ million by 2030, at a Compound Annual Growth Rate (CAGR) of % during the forecast period.



Solar Container Companies

Solar Container industry insights on factors that are driving the growth of the Solar Container Market and key players along with their go to market strategies and new revenue sources.

Future Prospects for Photovoltaic Container Growth

The photovoltaic (PV) container market is experiencing robust growth, driven by the increasing demand for renewable energy solutions and the need for efficient, portable power ...



Solar Container Market: Trends, Drivers, and Future Outlook

In summary, the solar container market is maturing from niche to mainstream. Although high upfront cost remains a barrier, the benefits of flexibility, modularity, and sustainability are driving ...



Solar Container Market Size, Future Growth and Forecast 2033

Technological advancements in solar panel efficiency and battery storage are enhancing the performance and appeal of solar containers. Government incentives and policies promoting ...



Solar Container Market Share, Growth, Future Prospects, Forecast to ...

Solar container market was valued at \$220.0 million in 2024 and is projected to reach \$2,148.3 million by 2035, growing at a CAGR of 23.0% during the forecast period (2025-2035).

Global Solar Container Market Insights, Forecast to 2030

Chapter 2: Solar Container production/output of global and key producers (regions/countries). It provides a quantitative analysis of the production, and development potential of each producer in the next six ...



Solar Container Power Systems Industry's Future Growth Prospects

The global solar container power systems market is experiencing robust growth, driven by increasing demand for reliable and readily deployable off-grid power solutions. The market's expansion is fueled ...



Contact Us

For catalog requests, pricing, or partnerships, please visit:
<https://www.folkowaakademiapianina.pl>