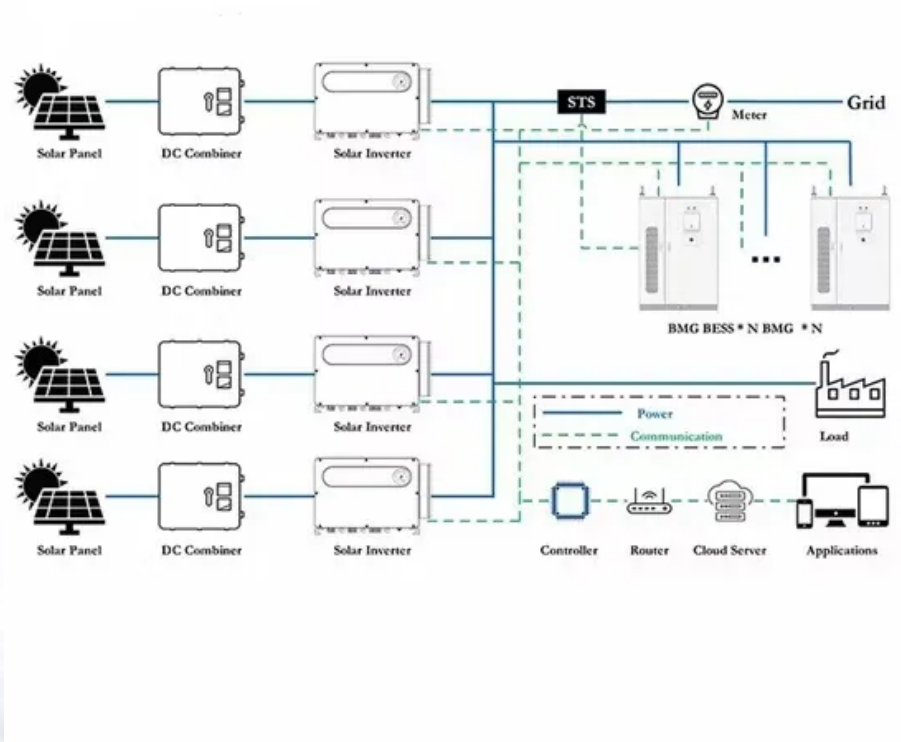


Battery capacity of large commercial solar container power stations





Overview

Each container carries energy storage batteries that can store a large amount of electricity, equivalent to a huge “power bank. ” Depending on the model and configuration, a container can store approximately 2000 kilowatt-hours. They function like large-scale power banks, utilizing battery packs housed in containers to manage energy flow effectively. They can be configured to match the required power and capacity requirements of client’s application. Our design incorporates safety protection mechanisms to endure extreme environments and rugged deployments.



Battery capacity of large commercial solar container power stations



BESS Container Sizes: How to Choose the Right Capacity

These containerized battery energy storage systems are widely used in commercial, industrial, and utility-scale applications. But one of the most important factors in choosing the right ...

Mobile Solar Container Systems , 20-200kWp Foldable ...

LZY Mobile Solar Container System - The rapid-deployment solar solution with 20-200kWp foldable PV panels and 100-500kWh battery storage. Set up in under 3 ...



Commercial Energy Storage Systems Guide

Commercial battery storage systems can be integrated with photovoltaic (PV) systems to create solar-plus-storage solutions. These systems store excess solar energy for later use, ...

CHINA BUILDS SOLAR CONTAINER POWER STATIONS ON A LARGE ...

Large capacity 6v solar container lithium battery pack What is a containerized energy storage system?The Containerized energy storage system refers to large lithium energy storage



systems ...



Solar Windmill Grid Battery Images, Pictures And Stock Photos

Download Solar Windmill Grid Battery stock photos. Free or royalty-free photos and images. Use them in commercial designs under lifetime, perpetual & worldwide rights. Dreamstime is the world`s largest ...



Commercial Solar Power Battery Storage: A Business Strategy for 2026

Reduce operating costs and secure your business against outages with commercial solar power battery storage. Discover scalable solutions from CNTE for a smarter energy future.



- LiFePO₄ Battery,safety
- Wide temperature: -20~55°C
- Modular design, easy to expand
- The heating function is optional
- Intelligent BMS
- Cycle Life:> 6000
- Warranty:10 years



Complete Guide to Commercial and Industrial Battery Storage Systems

Unlike commercial systems for small and medium businesses, large-scale commercial systems usually range from 100 kW to MW-level utility projects and are engineered for higher ...



Industrial solar container battery equipment manufacturing company

As the photovoltaic (PV) industry continues to evolve, advancements in Industrial solar container battery equipment manufacturing company have become critical to optimizing the utilization of renewable ...



Product Model
HJ-ESS-215A(100KW/215KWh)
HJ-ESS-115A(50KW 115KWh)

Dimensions
1600*1280*2200mm
1600*1200*2000mm

Rated Battery Capacity
215KWH/115KWH

Battery Cooling Method
Air Cooled/Liquid Cooled



Applications



WHAT IS THE CAPACITY OF THE SOLAR CONTAINER?

Energy Storage System. What is a mobile solar PV container? High-efficiency Mobile Solar PV Container with foldable solar panels, advanced lithium battery storage (100-500kWh) and smart energy ...

Solar Container , Large Mobile Solar Power Systems

Mobile solar power station Pre-assembled containers with fold solar panel. Deploy power in hours Perfect for remote locations, construction sites, events, and ...



Contact Us

For catalog requests, pricing, or partnerships, please visit:
<https://www.folkowaakademiapianina.pl>