

# **Batteries belong to the solar container industry or electricity**





## Overview

---

Battery containers allow large battery systems to be housed in an enclosure along with advanced energy management systems, protective features, and electric conversion units. Two technologies in particular stand out as having more importance placed in future: battery containers and solar panel containers. Due to increases in demand for electric vehicles (EVs), renewable energies, and a wide range of consumer goods, the demand for energy storage batteries has increased considerably from 2000 through 2024.



## Batteries belong to the solar container industry or electricity

---

### Energy Storage Container Batteries: Key Specifications, Models, and



Discover the critical specifications, popular models, and real-world applications of energy storage container batteries. This guide simplifies technical details while highlighting how these solutions ...

### Turning shipping containers into renewable solar units

Functioning as a solar energy distribution point or as a mobile power station unit, SolarTurtle is entirely packaged in a shipping container. During the day, the container unfolds so as to charge multiple ...



PUSUNG-R (Fit for 19 inch cabinet)



### Solar Battery Market Size, Share, Trends, Growth Report 2035

Solar Battery Market to Reach USD 1670.86 Million, grow at a CAGR of 18.50% till 2035, due to the increased demand for renewable energy storage solutions , Global market analysis based on ...

### Advanced Lithium-Ion Energy Storage Battery Manufacturing in ...

Advanced Lithium-Ion Energy Storage Battery Manufacturing in the United States Due to increases in demand for electric vehicles (EVs), renewable energies, and a wide range of



consumer ...



### Whc Industrial 525kwh Solar Energy Storage System 1000kwh Ess ...

WHC Solar Power System also known as off-grid solar system is the most costeffective typefor solar system is a complete solar setup that comes with highly efficientsolar panels.off-grid solar inverter, ...



### Solar Battery Market Size, Share, Trends, Growth ...

Solar Battery Market to Reach USD 1670.86 Million, grow at a CAGR of 18.50% till 2035, due to the increased demand for renewable energy storage solutions , ...



### An In-Depth Look at Energy Battery Containers,Industry,Electrpower

An energy battery container is a large, portable container equipped with advanced energy storage systems, generally comprising batteries that store and manage electric energy.

TAX FREE

### ENERGY STORAGE SYSTEM

**Product Model**  
HJ-ESS-215A(100KW/215KWh)  
HJ-ESS-115A(50KW 115KWh)

**Dimensions**  
1600\*1280\*2200mm  
1600\*1200\*2000mm

**Rated Battery Capacity**  
215KWH/115KWH

**Battery Cooling Method**  
Air Cooled/Liquid Cooled



### What industry does the battery solar container station belong to

What industry does the container station belong to battery solar is a containerized battery e re essentially large batteries housed within storage containers. These systems are designed to store ...



### Container Energy Storage Battery Power Stations: The Future of ...

Imagine a world where shipping containers do more than transport goods--they power cities. That's exactly what container energy storage battery power stations are achieving today. ...



### Container Energy Storage System: All You Need to Know

What is Container Energy Storage? Container energy storage, also commonly referred to as containerized energy storage or container battery storage, is an innovative solution designed to ...



### Why Tesla, BYD & CATL are Making Batteries for Solar Power

"The combination of solar PV and batteries is today competitive with new coal plants in India. And just in the next few years, it will be cheaper than new coal in China and gas-fired power in ...





## Shipping Containers for Power Generation & Energy Storage , Boxhub

Using Shipping Containers for Energy Industry  
Shipping containers have become increasingly popular in the power generation and energy industry due to their versatility, cost-effectiveness, and easy ...



## Solar Container Market Size, Share and Growth Drivers ...

Yangzhou CIMC New Energy Equipment, Ecosun Innovations, Hacon Containers, Faber Infrastructure, and BoxPower were identified as Star players in the solar ...

## WHAT INDUSTRY CHAIN DOES ENERGY STORAGE BATTERY BELONG TO?

What does the battery energy storage system of the Montenegro communication base station look like The containerized energy storage system is composed of an energy storage converter, lithium iron ...



## DOES ENERGY STORAGE BELONG TO THE NEW ENERGY INDUSTRY

Containerized System Innovations & Cost Benefits Technological advancements are dramatically improving solar storage container performance while reducing costs. Next-generation thermal ...



## Solar Container Power Systems Market Size, Growth Outlook 2034

The Solar Container Power Systems Market size is expected to reach USD 1.5 billion in 2024 registering a CAGR of 11.5. This Solar Container Power Systems Market research report ...



## Container Energy Storage Battery Power Stations: The Future of ...

That's exactly what container energy storage battery power stations are achieving today. These modular systems are revolutionizing how we store and distribute renewable energy, offering ...

## Battery Energy Storage Container: A Solution for Renewable Electricity

What is battery energy storage container? Battery energy storage containers are large-scale storage systems built on advanced battery technology, with wide-ranging applications and ...



## What industry does the electrochemical solar container power station

What industry does the electrochemical solar container power station belong to Container Battery Energy Storage System-New Trends In Energy My country's battery energy storage, especially ...



## Container-sized batteries are powering the next global energy

Utility-scale batteries now deliver far more than backup power. They earn revenue through grid-stabilization services, frequency regulation, and price arbitrage.

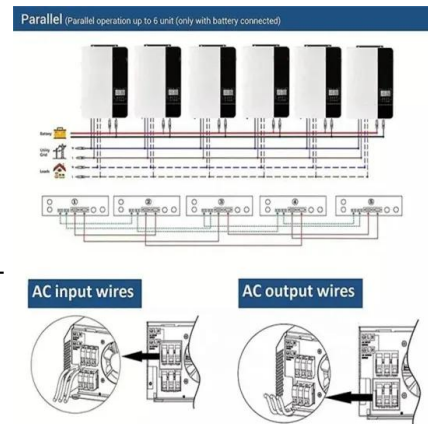


## What industry chain does energy storage battery belong to?

Energy storage batteries are integral components of various sectors, namely 1. Renewable Energy Sector, 2. Electric Vehicle Industry, 3. Grid Management, 4. Consumer Electronics. Each of ...

## Saur Energy Explains: Grains to Grid - Power of Sand Batteries

Although Li-ion batteries lead the energy storage space as of now, innovative battery technologies like solid state battery, thermal batteries, sodium-ion battery, flow battery, lead-acid ...



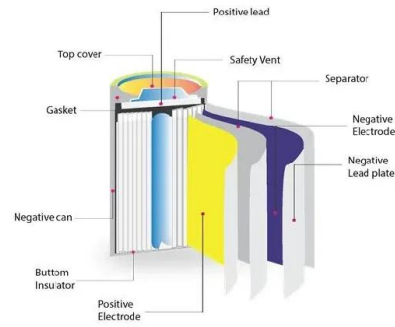
## Unraveling the Solar Container: Future of Renewable Energy

The current development status of the solar container is a subject of considerable interest and holds crucial insights into the potential it holds for the global energy sector. Currently, on a global ...



## Battery Storage Containers for Sustainable Energy

By using standard container formats and modular components, battery storage containers significantly reduce infrastructure and installation costs. Moreover, they help cut energy bills by ...



## Contact Us

---

For catalog requests, pricing, or partnerships, please visit:  
<https://www.folkowaakademiapianina.pl>